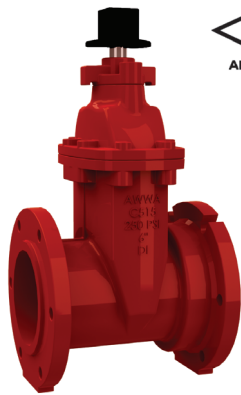


AWWA C515-09
Resilient Seat
GATE VALVES

Model 2010TM
Tapping Valve
(with flange side accessories)



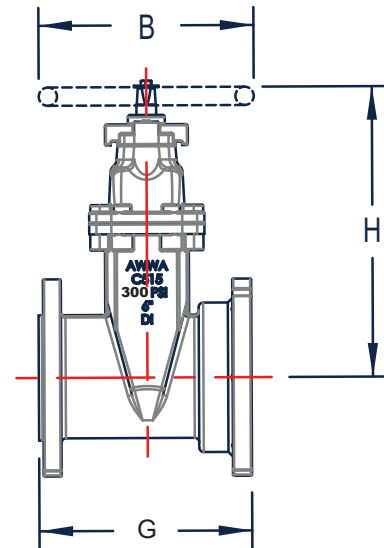
Description:

1. Conforms to AWWA C515-09, MSS-SP-70
2. MJ dimensions conform to AWWA C153
3. Flange drilling to ANSI 125/150
4. Special Tapping Flange to MSS-SP-60, drilled to ANSI Class 125
5. 2" Square Operating Nut provided. Color coded black (open right valves provided with RED operating nuts)
6. Working Pressure:
UL/FM rated working pressure: 3"~12" - 300 psi
UL/FM rated working pressure: 14"~16" - 250 psi
7. Temperature: -23°C (-10°F) to 110°C (230°F)
8. Includes flange side accessories

MATERIAL LIST

Description	Material
Hex Bolt	304 Stn. Stl.
Washer	304 Stn. Stl.
Dirt Seal	EPDM
O-Ring (Bonnet Cap, Stem)	EPDM
O-Ring (Bonnet Cap, Bonnet)	EPDM
O-Ring (Stem)	EPDM
O-Ring (Bonnet to Body)	EPDM
Gate	EPDM Encapsulated DI
Operating Nut	Ductile Iron ASTM A536 65-45-12
Stem (2"~12")	AISI 420, 304, 316
Stem (14"~24")	AISI 431, 304, 316
Bonnet Cap	Ductile Iron ASTM A536 65-45-12
Split Ring (Stem)	Bronze C67400
Bonnet	Ductile Iron ASTM A536 65-45-12
Body	Ductile Iron ASTM A536 65-45-12
Bonnet Bolts	304 Stn. Stl.
Gate (Stem) Nut	Bronze C67400
Debris Cap	Plastic

Design and materials are subject to change without notice.



DIMENSIONAL DATA

Size	Part No. (Tapping)	G	H	Turns to Open	B Handwheel Ø
2"	2010TM-120	7.0	9.50	6.5	7
3"	2010TM-130	8.0	11.00	10.5	10
4"	2010TM-140	9.0	13.00	14	10
6"	2010TM-160	10.5	17.30	20	12
8"	2010TM-180	11.5	20.80	25.5	14
10"	2010TM-200	13.0	25.00	31.8	16
12"	2010TM-220	14.0	28.30	38	16
14"	2010TM-240	15.0	32.87	45	22
16"	2010TM-260	16.0	35.83	51	22

Dimensions in inches



WARNING: This product can expose you to chemicals including lead, which is known to the State of California to cause cancer and birth defects or other reproductive harm. For more information go to www.P65Warnings.ca.gov.



United Water Products
8710 Air Park West Drive, Charlotte, NC 28214
TEL. 401-250-3800
Website: www.unitedwaterproducts.com